



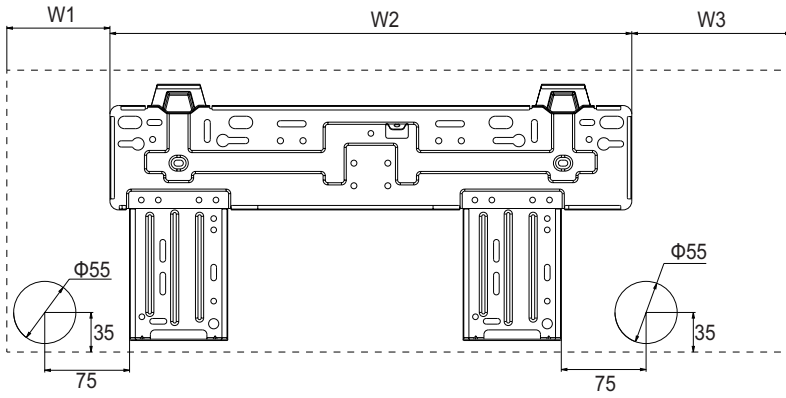
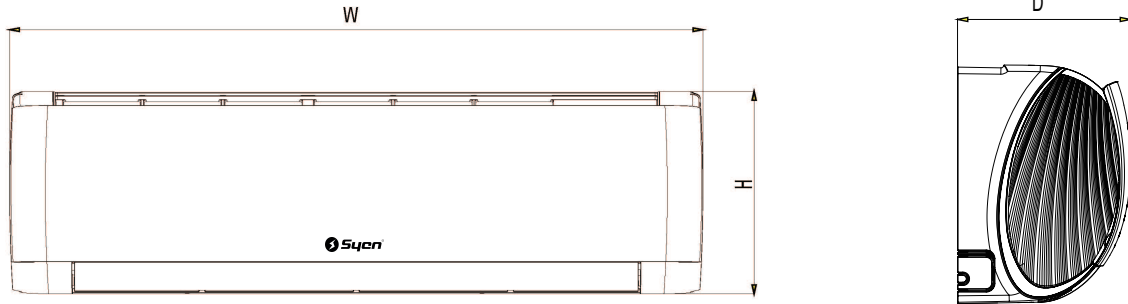
Outdoor Unit	Outdoor Unit Model		SOH18MU-E32DA1D/O(LCLH)	SOH24MU-E32DA1E/O(LCLH)
	Outdoor Unit Product Code		CB419W15600	CB419W15700
	Compressor Manufacturer		ZHUHAI LANDA COMPRESSOR CO.,LTD	ZHUHAI LANDA COMPRESSOR CO., LTD
	Compressor Model		QXF-B141ZF030F	QXFS-D25zX090H
	Compressor Oil		FW68DA or equivalent	FW68DA
	Compressor Type		Rotary	Rotary
	Compressor LRA.	A	25	24
	Compressor RLA	A	6.5	11.7
	Compressor Power Input	W	1410	2420
	Compressor Overload Protector		HPC115/95U1 KSD115℃	HPC115/95U1/KSD115℃
	Throttling Method		Electron expansion valve	Electron expansion valve
	Set Temperature Range	℃	16~30	16~30
	Cooling Operation Ambient Temperature Range	℃	-15~43	-15~43
	Heating Operation Ambient Temperature Range	℃	-22~24	-22~24
	Condenser Form		Aluminum Fin-copper Tube	Aluminum Fin-copper Tube
	Condenser Pipe Diameter	mm	Φ7	Φ7
	Condenser Rows-fin Gap	mm	2-1.4	2-1.4
	Condenser Coil Length (LXD <sub>X</sub> W)	mm	851X38.1X660	935X38.1X660
	Fan Motor Speed	rpm	800	800
	Fan Motor Power Output	W	60	60
	Fan Motor RLA	A	0.4	0.58
	Fan Motor Capacitor	μF	/	/
	Outdoor Unit Air Flow Volume	m <sup>3</sup> /h	3200	3200
	Fan Type		Axial-flow	Axial-flow
	Fan Diameter	mm	Φ520	Φ520
	Defrosting Method		Automatic Defrosting	Automatic Defrosting
	Climate Type		T1	T1
	Isolation		I	I
	Moisture Protection		IPX4	IPX4
	Permissible Excessive Operating Pressure for the Discharge Side	MPa	4.3	4.3
	Permissible Excessive Operating Pressure for the Suction Side	MPa	2.5	2.5
	Sound Pressure Level (H/M/L)	dB (A)	57/-/-	57/-/-
	Sound Power Level (H/M/L)	dB (A)	64/-/-	67/-/-
Dimension(WXHXD)	mm	965X700X396	965X700X396	
Dimension of Carton Box (LXWXH)	mm	1026X455X735	1026X455X735	
Dimension of Package(LXWXH)	mm	1029X458X750	1029X458X750	
Net Weight	kg	45	53.5	
Gross Weight	kg	49.5	58	
Refrigerant		R32	R32	
Refrigerant Charge	kg	1	1.7	
Connection Pipe	Connection Pipe Length	m	5	5
	Connection Pipe Gas Additional Charge	g/m	16	40
	Outer Diameter Liquid Pipe	mm	Φ6	Φ6
	Outer Diameter Gas Pipe	mm	Φ12	Φ16
	Max Distance Height	m	10	10
	Max Distance Length	m	25	25
Note: The connection pipe applies metric diameter.				

The above data is subject to change without notice. Please refer to the nameplate of the unit.



### 3. Outline Dimension Diagram

#### 3.1 Indoor Unit

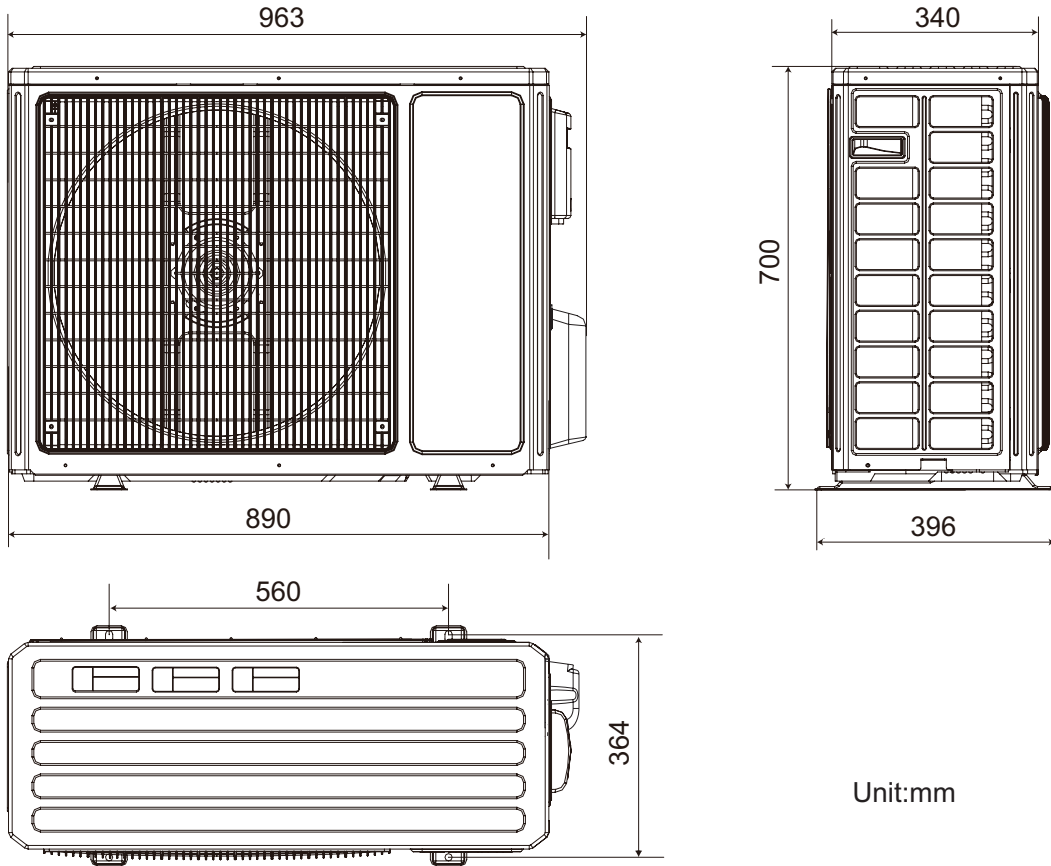


Unit:mm

Models	W	H	D	W1	W2	W3
18K	1017	304	221	127.5	685	204.5
24K	1135	328	247	215.5	685	234.5

### 3.2 Outdoor Unit

SOH18MU-E32DA1D/O SOH24MU-E32DA1E/O



Unit:mm